



# ABACO MACHINES OPERATION MANUAL SCISSOR CLAMP



ABACO MACHINES USA, INC.

20224 S. Normandie Ave.

Torrance, CA 90502

Tel: 310-532-0366

Fax: 310-532-0499

Email: [sales@abacomachines.com](mailto:sales@abacomachines.com)

Website: [www.abacomachines.com](http://www.abacomachines.com)

- ❖ Auto Lock
- ❖ Fully Vulcanized Rubber Pads (Rubber Pads Last Longer)
- ❖ All Natural Rubber For a Better Grip
- ❖ No Slippage
- ❖ Protected Rubber Across Jaws That Prevents Chipping
- ❖ Swivel Shackle
- ❖ Replacement Pads Available
- ❖ **Design to only lift one slab at a time**

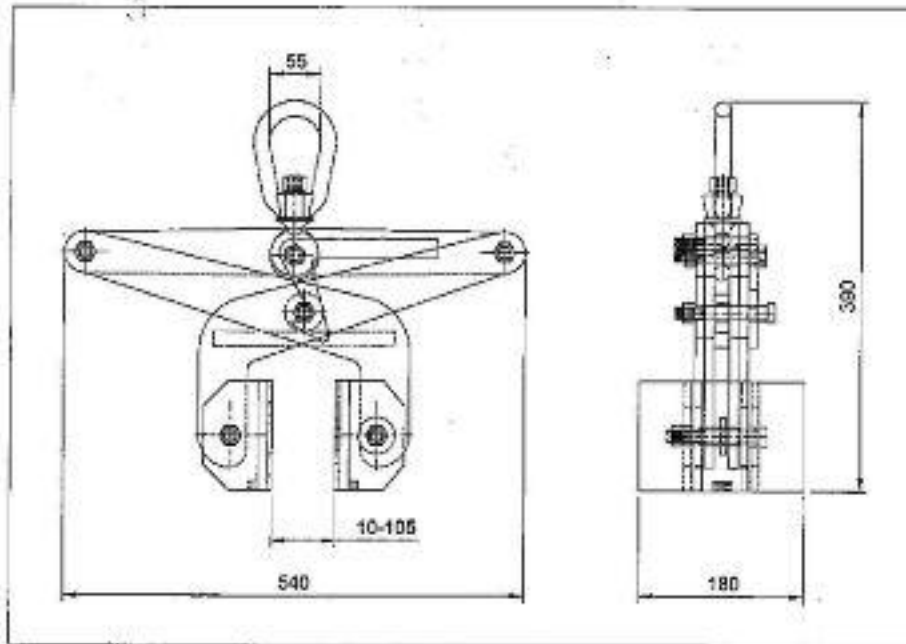
**SPECIFICATIONS:**

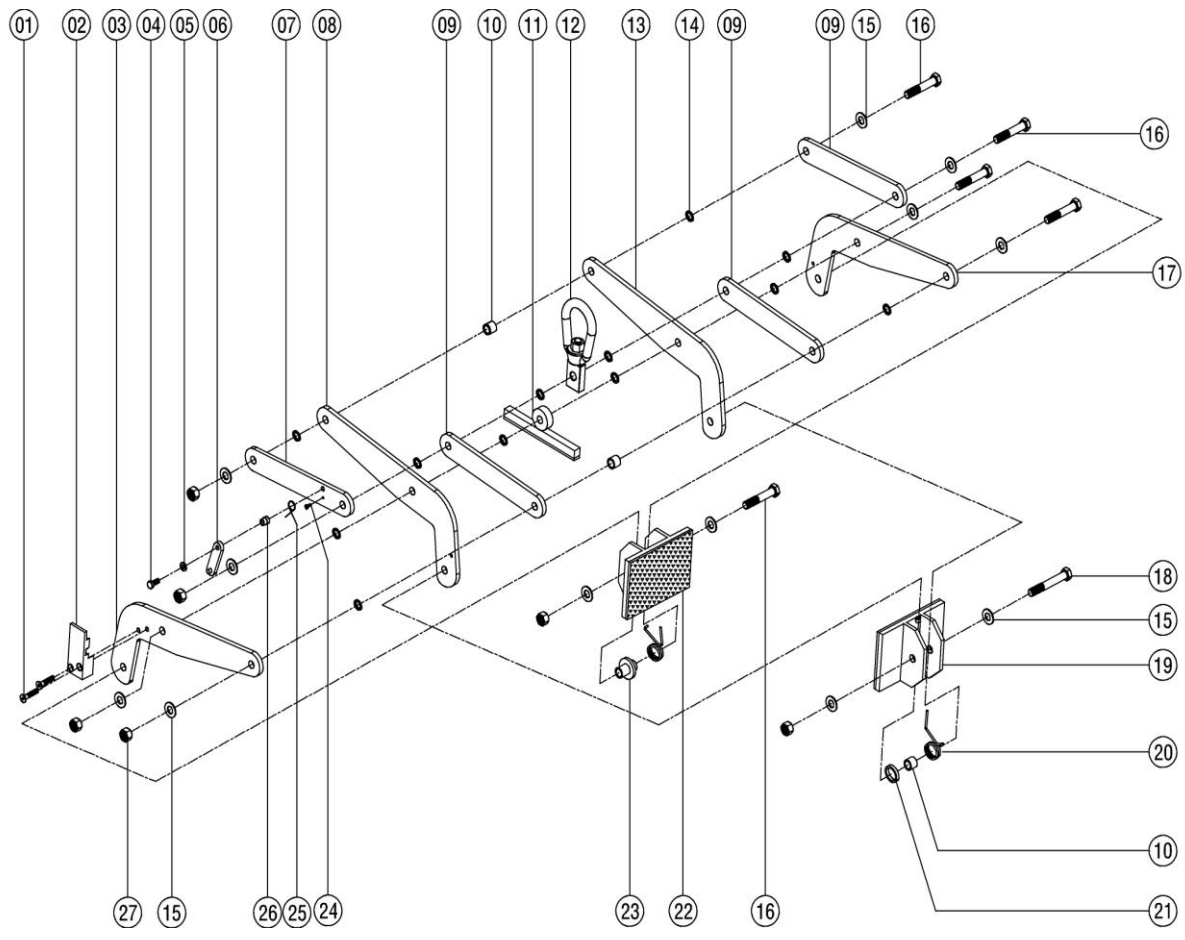
Grip Range:  $\frac{3}{8}$ " - 4" (10-105mm)

Work Load: 1650 lbs (750kg)

Weight: 46 lbs (21kg)

Dimensions: 21 $\frac{1}{4}$ " x 15 $\frac{3}{8}$ " x 7" (540 x 390 x 180mm)





Part Number	Description	Qty.
1	Counter Sink Cap Screw M8 x 40	2
2	Latch Guidance Pad	1
3	Lower Arm 03	1
4	Hex Cap Bolt M8 x 20	1
5	Washer $\varnothing 8 \times \varnothing 20 \times 1.2$	1
6	Locking Latch	1
7	Upper Arm 07	1
8	Lower Arm 08	1
9	Upper Arm 09	3
10	Spacer $\varnothing 14 \times 24 \times 17$	3
11	Stopper	1
12	Swivel Shackle	1
13	Lower Arm 13	1
14	Washer $\varnothing 14 \times \varnothing 20 \times 0.8$	12
15	Washer $\varnothing 14 \times \varnothing 30 \times 2$	12
16	Alan Key Socket Head M14 x 80	5
17	Lower Arm 17	1
18	Alan Key Socket Head M14 x 100	1
19	Right Hand Side Jaw	1
20	Torsion Spring 20	2
21	Washer $\varnothing 26 \times \varnothing 33 \times 4$	1
22	Left Hand Side Jaw	1
23	Spacer $\varnothing 14 \times \varnothing 40 \times 40$	1
24	Screw M5 x 10	1
25	Torsion Spring 25	1
26	Spacer $\varnothing 8 \times \varnothing 14 \times 14$	1
27	Nylon Nut M14	6

## **WARRANTY CERTIFICATE**

In order to validate the warranty, it is mandatory to return the attached Warranty Certificate, duly completed, within eight (8) days after purchase along with a copy of the receipt or the Bill of Sale.

### **PERIOD**

The warranty starts from the date of purchase on the receipt and is valid for six (6) months. Please remember to include a copy of your receipt when sending in the Warranty Certificate.

### **LIMITATIONS**

This warranty is limited to the replacement of parts recognized as defective by Abaco Machines excluding worn components and consumables. The manufacturer is not responsible for any direct or non-direct, material or immaterial damages caused to persons or property by failure of the machine or the non-operation of the machine.

### **CONDITIONS**

To benefit from the warranty, it is mandatory to return the attached Warranty Certificate, duly completed, within eight (8) days after purchase along with a copy of the receipt or Bill of Sale.

### **EXCLUSIONS**

Warranty does not apply to damages or failures caused by:

- Incorrect use, misuse, error in transportation, handling, or maintenance on the user's end.
- Use of non-genuine parts or accessories.
- Use of incorrect specifications.

### **HOW TO CLAIM**

During the warranty period, if the product is discovered to be defective, please contact the retailer where you purchased the product first for review and evaluation. The retailer will inform you of the appropriate method of dealing with your claim and advise you of your nearest approved service center.

